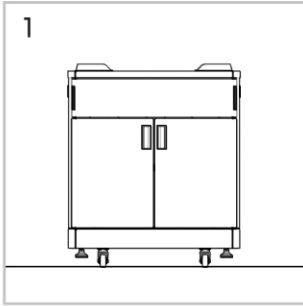
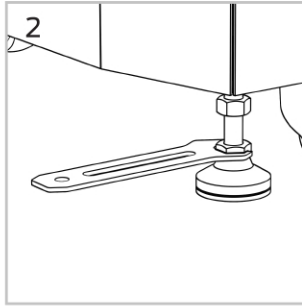


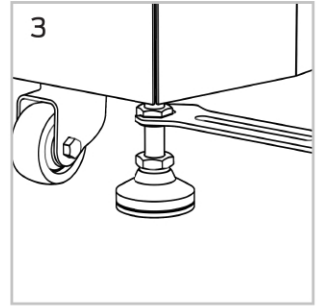
QUICK START GUIDE



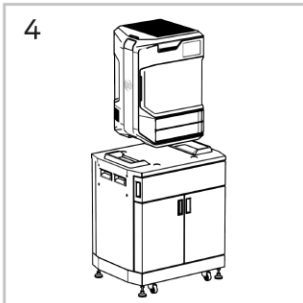
1
The base station should be used on a flat, stable surface. Move to the final position prior to lowering the feet.



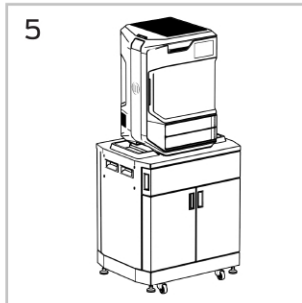
2
Use a 15mm wrench to unscrew the feet which will push down into the ground and elevate the wheels.



3
After all 4 wheels are slightly elevated, counter screw the top nut upward into the base to lock it.



4
With 2 people, lift and place the printer facing the same direction as the drawers.



5
Caution: Remove the printer before moving the base station.



Warning! Death or serious injury may occur if children climb on the base station or printer. Do not leave unattended with small children in the area.



Warning! This Base Station For Method is intended for use only with the Makerbot Method 3D Printer. Use with other equipment may result in instability causing injury or death.



Warning! Relocating the printer to furniture not specifically designed to support it may result in death or serious injury due to the furnishing collapsing or over turning onto a child.

Max weight of top surface is 100 lbs (45 kg)
Max weight of drawer is 25 lbs (11 kg)

Max weight of shelf is 35 lbs (16 kg)
Max weight of base is 35 lbs (16 kg)

MakerBot
Model : Base Station For Method
CAT NUMBER: CAEC17