



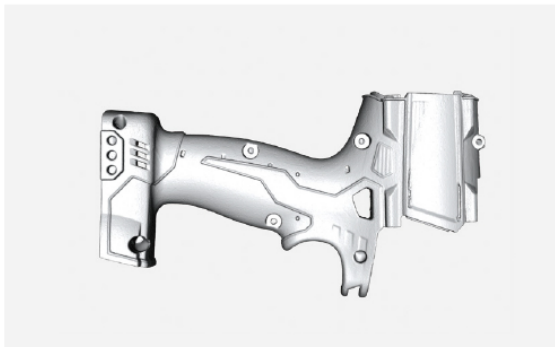
**SHINING 3D<sup>®</sup>**

FOR MORE SHINING IDEAS

# EINSCAN SE/ SP V2 DESKTOP 3D SCANNER



# MAXIMIZE THE SCANNING CAPABILITY ON YOUR DESKTOP



## FEATURES

### Extensive scanning range from small to large

Depending on the size of the object, scanning can be carried out using a turntable for automatic scanning or a tripod for manual scanning.

### Easy operation, user-friendly workflow and faster scanning

One-click scanning

Automatic calibration without complex settings

### Fine details

Highly detailed reproduction of display data

### Colour scanning

Easy reproduction of physical 3D models with coloured textures

### Compatible with 3D printers

Auto meshing to watertight 3D data for 3D printing

### Safety in use

Visible white light, safe for human eyes

# EinScan SE/ SE V2

A powerful companion for educators and individuals

- Simple 3D scanning experience for non-technical users
- Wide range of scans from small to large
- Easy to operate and cost-effective

# EinScan SP/ SP V2

The expert's choice for enhanced experience

- Precise calibration in a simple way, achieving high accuracy of better than 0.05 mm
- Faster scanning speeds
- Multiple alignment modes
- Enables high-resolution 3D modelling even for professional users

Model	EinScan SE	Einscan SE V2	EinScan SP	Einscan SP V2
Scan speed of a single shot	<8s	<1s	<4s	<1s
Scan speed of one turn	<2mins	<45s	<1min	<45s
<b>Align Mode</b>				
Manual	√	√	√	√
Feature	√	√	√	√
Turntable	√	√	√	√
Turntable Coded Targets	×	×	√	√
Markers	×	×	√	√

## APPLICATIONS



### Education

K12 education, vocational school, college and university



### Design & Art

High-quality 3D design, 3D printing applications, reverse engineering



### Digital Industry

Animation, CG, VR&AR



### Archiving and Sharing

3D digital archiving, data sharing

# TECHNICAL SPECIFICATIONS

## EINSCAN SE/ SE V2

Model	Einscan SE	Einscan SE V2
Scan Mode	Fixed Scan with Turntable; Fixed Scan without Turntable	
Align Mode	Manually Align; Feature Align; Turntable Align	
Scan Accuracy	≤0.1 mm	
Minimum Scan Volume	30mm × 30mm × 30mm	
Maximum Scan Volume	Fixed Scan: 700mm × 700mm × 700 mm	Turntable: 200mm × 200mm × 200mm
Single Scan Range	200 mm × 150 mm	
Scan speed of a single shot	<8s	< 1s
Scan speed of one turn	<2mins	< 45s
Point Distance	0.17mm ~ 0.2mm	
Color Scan	Supported	
Output Format	OBJ, STL, ASC, PLY, 3MF	
Camera Resolution	1.3MP	
Light Source	White LED	
Working Distance	290mm ~ 480mm	
Power Supply	12V, 3.33A, 40W	
Computer Requirements	OS: Win7, 8, 10 (64bit) CPU: Intel Dual Core i5 or higher; RAM: >8GB Graphics Card: Nvidia GTX660 or higher; Video Memory: > 1GB USB Port: 2.0/ 3.0	OS: Win7, 8, 10 (64bit) CPU: Intel Dual Core i5 or higher; RAM: > 16GB Graphics Card: Nvidia GTX660 or higher; Video Memory: >2GB USB Port: 2.0/ 3.0
Device Size	570mm × 210mm × 210mm	
Package Size	640mm × 410mm × 230mm	
Weight	4.2KG	
Certificate	CE, FCC, ROHS, WEEE	
Calibration Board	Plastic Calibration Board	
Turntable Loading Capacity	5KG	

\*Notice: SHINING 3D reserves the right to explain any alteration of the specifications and pictures.

# TECHNICAL SPECIFICATIONS

## EINSCAN SP/ SP V2

Model	Einscan SP	Einscan SP V2
Scan Mode	Fixed Scan with Turntable; Fixed Scan without Turntable	
Align Mode	Manually Align; Feature Align; Turntable Align; Markers Align; Turntable Coded Target Align	
Scan Accuracy	≤0.05mm	
Minimum Scan Volume	30mm × 30mm × 30mm	
Maximum Scan Volume	Fixed Scan: 1200mm × 1200mm × 1200mm    Turntable: 200mm × 200mm × 200mm	
Singe Scan Range	200mm × 150mm	
Scan speed of a single shot	< 4s	< 1s
Scan speed of one turn	< 1mins	< 45s
Point Distance	0.17mm ~ 0.2mm	
Color Scan	Supported	
Output Format	OBJ, STL, ASC, PLY, 3MF	
Camera Resolution	1.3MP	
Light Source	White LED	
Working Distance	290mm ~ 480mm	
Power Supply	12V, 3.33A, 40W	
Computer Requirements	OS: Win7, 8, 10 (64bit) CPU: Intel Dual Core i5 or higher; RAM: >16GB Graphics Card: Nvidia GTX660 or higher; Video Memory: >2GB USB Port: 2.0/ 3.0	
Device Size	570mm × 210mm × 210mm	
Package Size	640mm × 410mm × 230mm	
Weight	4.2KG	
Certificate	CE, FCC, ROHS, WEEE	
Calibration Board	High Accuracy Calibration Board	
Turntable	With Coded Targets	
Turntable Loading Capacity	5KG	
Attachments	Tripods	

\*Notice: SHINING 3D reserves the right to explain any alteration of the specifications and pictures.  
EinScan SE/ SP V2-EN 20240220-V0.5